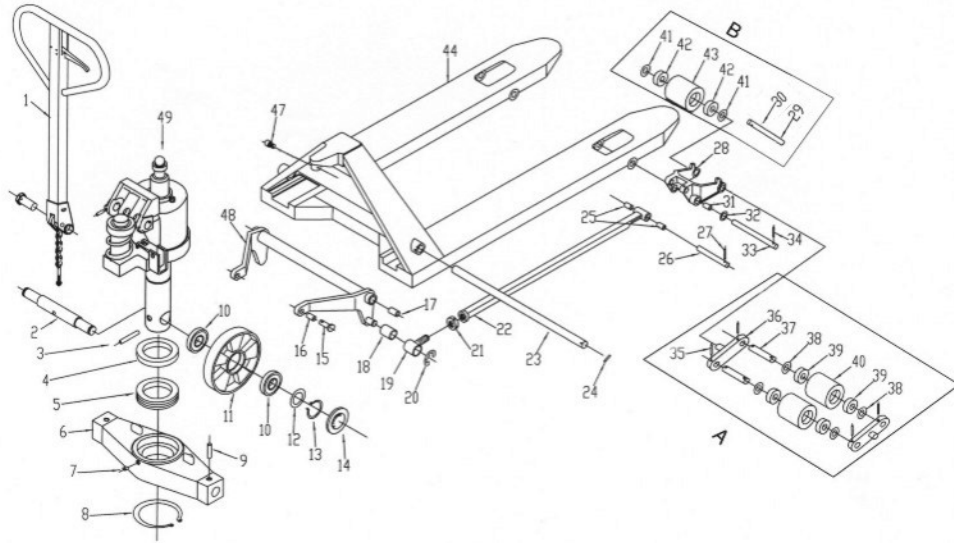
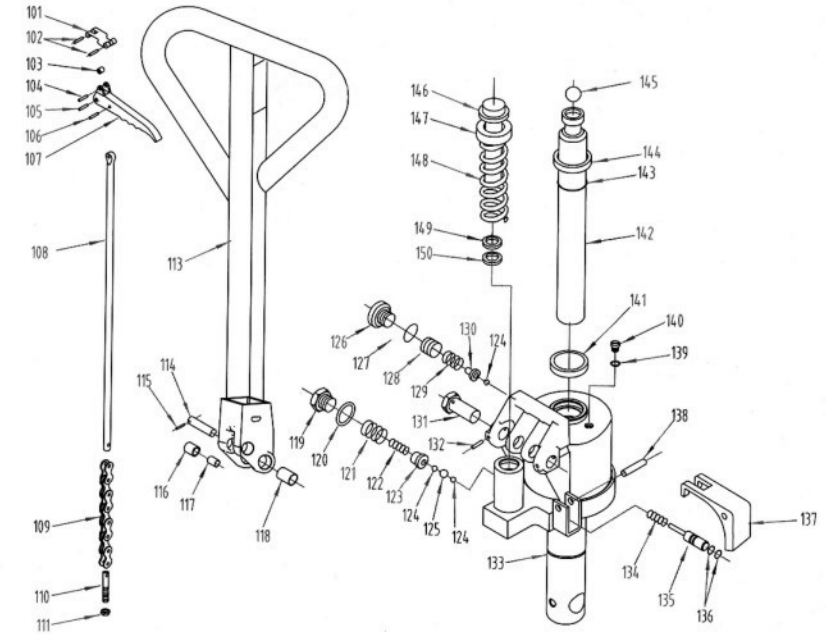


Spare Parts of Hand Pallet Truck



N.O.	Description	Quantity	N.O.	Description	Quantity	N.O.	Description	Quantity	N.O.	Description	Quantity
1	Handle Assembly	1	14	Wheel Cap	2	27	Spine Pin $\phi 5 \times 30$	2	40	Loading Wheel	4
2	Wheel Shaft	1	15	Base Pin	2	28	Wheel Bracket	2	41	Washer $\phi 20$	4
3	Spring Pin $\phi 8 \times 45$	1	16	Bushing	2	29	Spine Pin $\phi 5 \times 30$	2	42	Bearing 6204	4
4	Washer	1	17	Bushing	2	30	Axle	2	43	Single Loading Wheel	2
5	Bearing	1	18	Bushing	2	31	Bushing	4	44	Fork	1
6	Base	1	19	Rod End $M20 \times 1.5$	2	32	Washer $\phi 20$	4	47	Hex Bolts	1
7	Nipple	1	20	Snap Ring $\phi 19$	2	33	Shaft	2	48	Rocker Arm	1
8	Snap Ring $\phi 44$	1	21	Screw Nut $M20 \times 1.5$	2	34	Spine Pin $\phi 5 \times 30$	2	49	Pump Assembly	1
9	Spring Pin $\phi 6 \times 35$	1	22	Push Rod	2	35	Spine Pin $\phi 4 \times 30$	8	A	Tandem Loading Wheel	1
10	Bearing 6204	4	23	Rocker Shaft	1	36	Balance Arm	4	B	Single Loading Wheel	1
11	Steering Wheel	2	24	Spine Pin $\phi 6 \times 35$	1	37	Axle	4			
12	Washer $\phi 20$	1	25	Bushing	4	38	Washer $\phi 20$	8			
13	Snap Ring $\phi 20$	2	26	Push Axis	2	39	Bearing 6204	8			

Spare Parts of Hand Pallet Truck



N.O.	Description	Quantity	N.O.	Description	Quantity	N.O.	Description	Quantity	N.O.	Description	Quantity
101	Spring Plate	1	115	Spring Pin $\phi 3 \times 28$	1	128	Screw $M1 \times 1.5$	1	141	Y-Ring	1
102	Spring Pin $\phi 4 \times 50$	2	116	Roller	1	129	Pressure Spring	1	142	Piston Rod	1
103	Small Wheel	1	117	Bushing	1	130	Spring Base	1	143	O-Ring	1
104	Spring Pin $\phi 4 \times 30$	1	118	Bushing	2	131	Handle Pin	2	144	Seal	1
105	Spring Pin $\phi 6 \times 30$	1	119	Plug $M1 \times 1.5$	1	132	Spring Pin $\phi 3 \times 20$	2	145	Steel Ball $\phi 14$	1
106	Spring Pin $\phi 4 \times 12$	1	120	Washer	1	133	Pump	1	146	Plunger	1
107	Control Lever	1	121	Spring	1	134	Oil Spring	1	147	Spring Cap	1
108	Rod	1	122	Spring	1	135	Oil Rod	1	148	Spring	1
109	Chain 06B	1	123	Valve Bushing	1	136	O-Ring	2	149	Y-Ring	1
110	Bolt M8	1	124	Steel Ball $\phi 6$	3	137	Rocker	1	150	Seal	1
111	Screw Nut M8	1	125	Steel Ball $\phi 9$	1	138	Spring Pin $\phi 8 \times 25$	1			
113	Handle	1	126	Plug $M1 \times 1.5$	1	139	O-Ring	1			
114	Shaft	1	127	O-Ring	1	140	Screw M8	1			